



Laser Marking System

Videojet® 7510

The 7510 50-Watt fiber laser delivers high contrast marking on robust plastic packaging, metal containers and other industrial products at ultra-fast line speeds.

Small in size yet powerful in performance, the 7510 enables manufacturers to mark crisp, clear codes at up to 440 m/min to meet demands for increased throughput and more code content.

The 50-Watt fiber laser is specifically engineered for high speed beverage, pharmaceutical, and extrusion manufacturers marking on robust materials such as high-density Polyethylene (HDP), Nylon, Polyvinyl Chloride (PVC), as well as aluminum and stainless steel metals.



Uptime Advantage

- Maximum performance and laser source life expectancy up to 100,000 hours (mean time before failure)
- Air-cooled laser source virtually eliminates maintenance intervals
- No wear parts minimizes downtime
- 90% more energy efficient compared to predecessor 100W Nd:YAG laser system

Built-in productivity

- Optimized to mark-on-the-fly at line speeds up to 440 m/min
- Large marking window provides more time to mark, increasing throughput and maximizing productivity
- On-screen diagnostics track causes of downtime and help troubleshooting to get the line back up and running quickly*

Code Assurance

- Optional CLARiTY® Laser Controller offers built-in software features that help reduce operator errors and help ensure products are coded correctly
- High precision scan head delivers consistent high quality codes across the entire mark window
- Permanent codes help assure product traceability and tamper-proofing

Simple usability

- Compact mechanical design with two beam delivery options simplify integration
- Intuitive color touchscreen interface option makes training and usability quick and easy

* With optional CLARiTY® Laser Controller

Videojet® 7510

Laser Marking System

Marking fields

Focal Length	100	163	254	420
Max. height/mm	113.7	181.9	283.1	498.5
Max. width/mm	87.3	142.2	221.7	366.5

Marking formats

Standard fonts (Windows® TrueType®/ TTF; PostScript®/ PFA, PFB; Open Type®/ OTF) and individual fonts, such as high-speed or OCR
 Machine readable codes: ID-MATRIX (ECC100, 140, 200: 10x10 for square formats, 8x8 to 16x48 for non-square formats; ECC plain; QR code); BAR CODES (BC25/2Si/39/39E/93/128; GS1-128; UPC_A; RSS 14TR/ST/STC; RS LIM/EXP) Graphics/ graphic components, logos, symbols, etc. (dxf, jpg, ai, etc.)
 Linear, circular, angular text marking; rotation, reflection, expansion, compression of marking contents
 Sequence and serial numbering; Automatic date, layer and time coding, real-time clock; Online coding of individual data (weight, contents, etc.)

Laser source

Ytterbium (Yb) pulsed fiber laser
 Power class 50-Watt
 Central emission wavelength: 1064nm (min: 1055nm, max: 1075nm)

Beam deflection

2 high-speed galvanometer scanners

Beam orientation

90-degree (standard) and straight-out (option)

Focusing (precision optics)

Focal lengths: f=100/163/254/420mm

Multiple operator interface options

Smart Graph software on PC; configurable in 12 languages (option)
 CLARiTY® Laser Controller

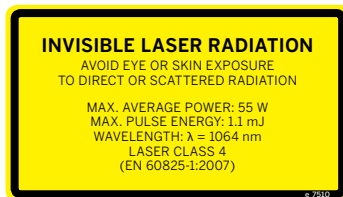
Language capabilities*

Arabic, Bulgarian, Czech, Danish, English, German, Greek, Finnish, French, Hebrew, Hungarian, Italian, Japanese, Korean, Dutch, Norwegian, Polish, Portuguese, Romanian, Russian, Serbian, Simplified Chinese, Slovak, Spanish, Swedish, Thai, Traditional Chinese, Turkish, Vietnamese; interface dependent

Communication

Ethernet, TCP/IP and RS232, digital I/Os
 Inputs for encoders and product detector triggers
 I/Os for start, stop, external error, job select, trigger, trigger enable, encoder; system ready, ready to mark, marking, shutter closed, error, bad, good signals and machine/operator interlocks

* With optional CLARiTY® Laser Controller



Integration

Direct integration into complex production lines via scripting interface
 Integration via Ethernet and RS232 interface
 Highly precise side guided height adjustment via dovetail joint

Electrical requirements

100-240 VAC (autorange), 600 VA, 1 PH, 50/ 60 Hz

Cooling system

Air cooled

Temperature/Humidity Range

15 - 35° C (59 - 95° F) and up to 40° C (104° F) with a duty cycle of 70%;
 10 - 90%, non-condensing

Sealing and safety standards

Marking unit: IP54
 Supply unit: IP21
 LASER CLASS 4 product (acc. to EN 60825-1:2007)

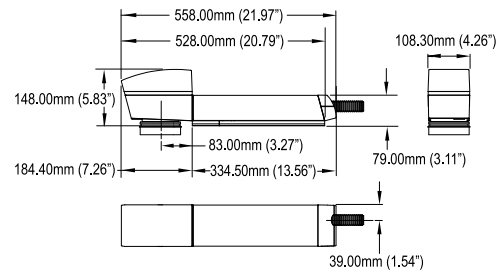
Approximate weight

Supply unit: approx. 20kg (44lbs.)
 Marking unit: approx. 5kg (11lbs.)

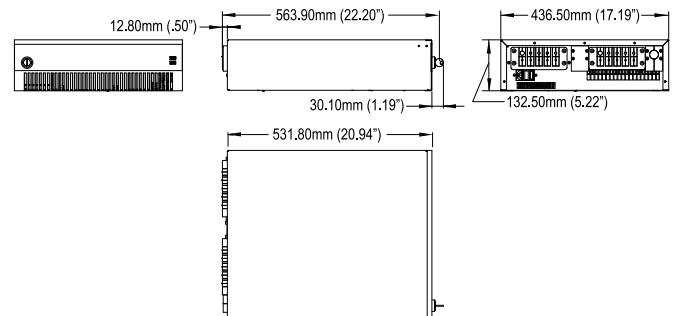
Applicable certifications

CE, TÜV/NRTL, FCC

Marking unit dimensions



Supply cabinet dimensions



Call **800-843-3610**

Email **info@videojet.com**

or visit **www.videojet.com**

Videojet Technologies Inc.

1500 Mittel Blvd. Wood Dale IL 60191 / USA

©2016 Videojet Technologies Inc. — All rights reserved.

Videojet Technologies Inc.'s policy is one of continued product improvement. We reserve the right to alter design and/or specifications without notice. Windows and OpenType are registered trademarks of Microsoft Corporation. TrueType is a registered trademark of Apple Inc., registered in the united states and other countries. PostScript is a registered trademark of Adobe Systems Inc.

Part No. SL000582
 7510 Spec Sheet-0216
 Printed in U.S.A.

