

Videojet® 1610 Dual Head

Small Character Ink Jet Printer

Ink Jet.

Laser.

Thermal Transfer.

Labelers.

Track & Trace.

Supplies.

Parts & Service.

Dual printhead capability with superior uptime for twice the productivity. The all-new Videojet 1610 Dual Head continuous ink jet printer is designed for applications requiring printing in two locations on the same product or on multiple lanes on a web application, delivering 12,000 hours of operation before required preventive maintenance. The 1610 Dual Head is ideal for the food and beverage, pharmaceutical, tobacco and building materials markets.

Advanced capabilities

- Dual printheads can be run independently or in tandem to meet a wide range of applications
- Up to 5 lines of high resolution print with speeds up to 960 fpm (293 mpm)
- Advanced clean flow printhead design maximizes uptime, ensures consistently sharp print quality



Innovative Technology

- 12,000-hour core life before required preventive maintenance
- SmartCartridge™ fluid delivery system prevents spills and drains completely to eliminate waste
- Automatic printhead set up, calibration and adjustment for consistent performance
- Longer print runs from auto-cleaning printhead

Superior environmental protection

- IP65 dust protection (no plant air required)

VIDEOJET
Uptime Peace of Mind®



Line Speed Capability (per head)

Can print 1 to 5 lines of print at speeds of up to 960 fpm (293 mpm) (10 characters per inch, single line of print)

Font Matrix Configuration

Single-line: 5x5, 4x7, 5x7, 7x9, 9x12, 10x16, 16x24, 25x34

Twin-line: 5x5, 5x7, 7x9, 9x12, 10x16

Tri-line: 5x5, 4x7, 5x7, 7x9

Quad-line: 5x5, 4x7, 5x7

Five-line: 5x5

Linear Bar Codes

UPC A&E; EAN 8 & 13; Code 128 A, B & C; UCC/EAN 128;

Code 39; Interleaved 2 of 5; 2D DataMatrix; GS1

DataMatrix Codes

10x10, 12x12, 14x14, 16x16, 8x18, 18x18, 20x20, 22x22, 24x24, 16x26,

26x26, 8x32, 32x32, 34x34, 12x36, 16x36, 16x48

Nominal Character Height

Selectable from 0.079" (2 mm) to 0.40" (10 mm), depending on font

Throw Distance

Optimal: 0.472" (12 mm)

Range: 0.197" (5 mm) to 0.591" (15 mm)

Keyboard

Membrane style with tactile feedback, including 72 numeric, alphabetic, and special function keys. PC-style layout to approximate international PC convention.

Display

320x240 Bright blue backlit 5.7" LCD display.

WYSIWYG onscreen message editing

Custom Logo/Graphics

Can be created by individual user on printer or PC with optional Videojet Logo Creator software

Character Sets

Chinese, Russian/Bulgarian, Turkish/Scandinavian, Greek, Arabic, Japanese/Kanji, Hebrew, Korean, East European and European/American

Languages and Interface Options

English, Arabic, Bulgarian, Czech, Danish, Dutch, Finnish, French, German, Greek, Hebrew, Hungarian, Italian, Japanese, Korean, Norwegian, Polish, Portuguese, Russian, Simple Chinese, Spanish, Swedish, Thai, Traditional Chinese, Turkish and Vietnamese

Data Interface

RS232, RS485 and ethernet (standard)

Clarisoft/Clarinet® via RS232 and ethernet

Message management via USB

Message Storage

250 complex messages

Console Dimensions

316 Stainless steel

21.77" (553 mm) high

13.58" (345 mm) wide

13.30" (338 mm) deep

Environmental Protection

IP65 standard, no plant air required

Printhead

Heated printhead

Positive air (standard)

Automatic calibration

Auto-clean design

Diameter: 1.63" (41.3 mm)

Length: 10.62" (269.8 mm)

Printhead Umbilical

Ultra flexible

Length: 9.84' (3 m) optional 19.69' (6 m)

Diameter: 0.91" (23 mm)

Bend radius: 3.00" (76.2 mm)

Fluids Containers

Ink Smart Cartridge™ 0.793 qt. (750 ml)

Make-up Smart Cartridge 0.793 qt. (750 ml)

Temperature/Humidity Range

41°F to 113°F (5°C to 45°C)

0% to 90% RH non-condensing

Electrical Requirements

Nominal supply power 100-120 / 200-240 VAC at 50/60 Hz., 120 W

Approximate Weight

Unpacked and dry: 48.6 lbs. (22 kg)

Options

Dry air kit for high humidity (requires plant air)

Food grade version

60 or 70 micron nozzle

90 degree printhead

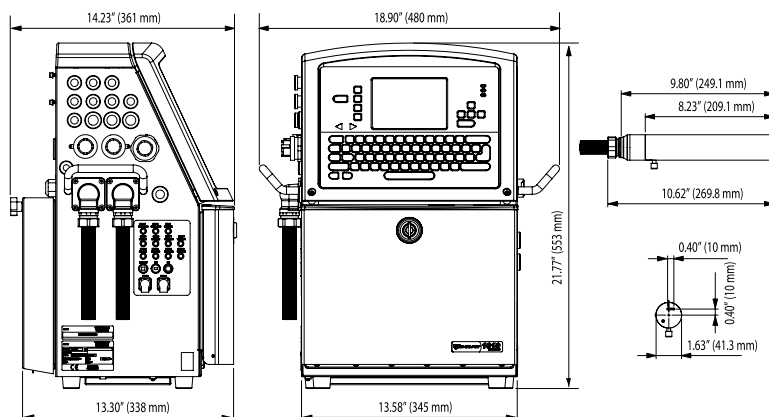
Wide range of accessories

CERTIFIED
ISO 9001
DOCUMENTED QUALITY



IECEE CB SCHEME CERTIFIED IEC
60950-1:2001 1st Edition

Dimensions



800-843-3610

www.videojet.com / info@videojet.com

Videojet Technologies Inc. / 1500 Mittel Blvd.

Wood Dale IL 60191-1073 / USA

Phone 630-860-7300 Fax 800-582-1343

